

Glint™

Welcome Change



Welcome Change

Today's India is filled with new experiences. From entertainment to transportation and food, the modern Indian wants to try out all that's new. And every experience, no matter how small, brings one into a new world and changes one's lifestyle for the better.

We at Indo Asian have always derived our inspiration from your needs, and we are always looking to create products that will serve you best. Our 55 years of service in safeguarding India with protection products, is testament to our belief. By keeping in mind your passion for change, we present to you our all new range of wiring accessories - Glint.

A good-looking package of convenience, flexibility and performance, it brings a spark of change in your lifestyle. Glint will add a shine to your walls, without burning a hole in your pocket!

So go ahead, switch to the brighter side of life. Switch to shine. Switch to Glint and welcome change!





INDOASIAN

Quality

Good looks demand great quality. Glint switches are made of quality PC material and components that add a glossy finish to all your walls, no matter what the colour. Its UV-resistant material ensures that the brightness stays on, and never grows dull. And with an ISI certification you can be rest assured that along with the aesthetics, you are also guaranteed complete safety.



Easy Identification

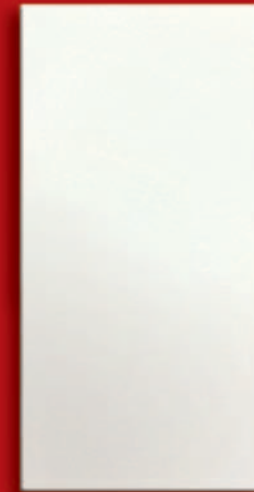
A modern range comes with modern technology.

Our Glint regulators come with a special laser marking that makes identification easy and adds to the aesthetics of the regulators. And guess what, it even lasts longer than printed markings!



Flexibility

Glint, the all new modular range offers you the freedom of flexibility. You can customise the plates as per your convenience or even leave a blank module or two to replace for future requirements. There is no need to change the entire unit, instead just replace the blank module with the required mechanism. Save on time, save on money.



Range

Glint offers a wide spectrum of products ranging from switches and sockets to RJ 11, RJ 45, buzzers, 32 DP and many more. The entire Glint range is UV-resistant, ensuring that your walls stay gleaming, always.



6A SWITCH



MULTISTANDARD SOCKET
6/10/13A-250V, 15A-127V



6A BELL PUSH
WITH INDICATOR



32A DP SWITCH
WITH INDICATOR



FAN STEP
REGULATOR 100W



LIGHT DIMMER 400W



TELEPHONE
SOCKET RJ 11



COMPUTER
SOCKET RJ 45



TV SOCKET



BUZZER 230V

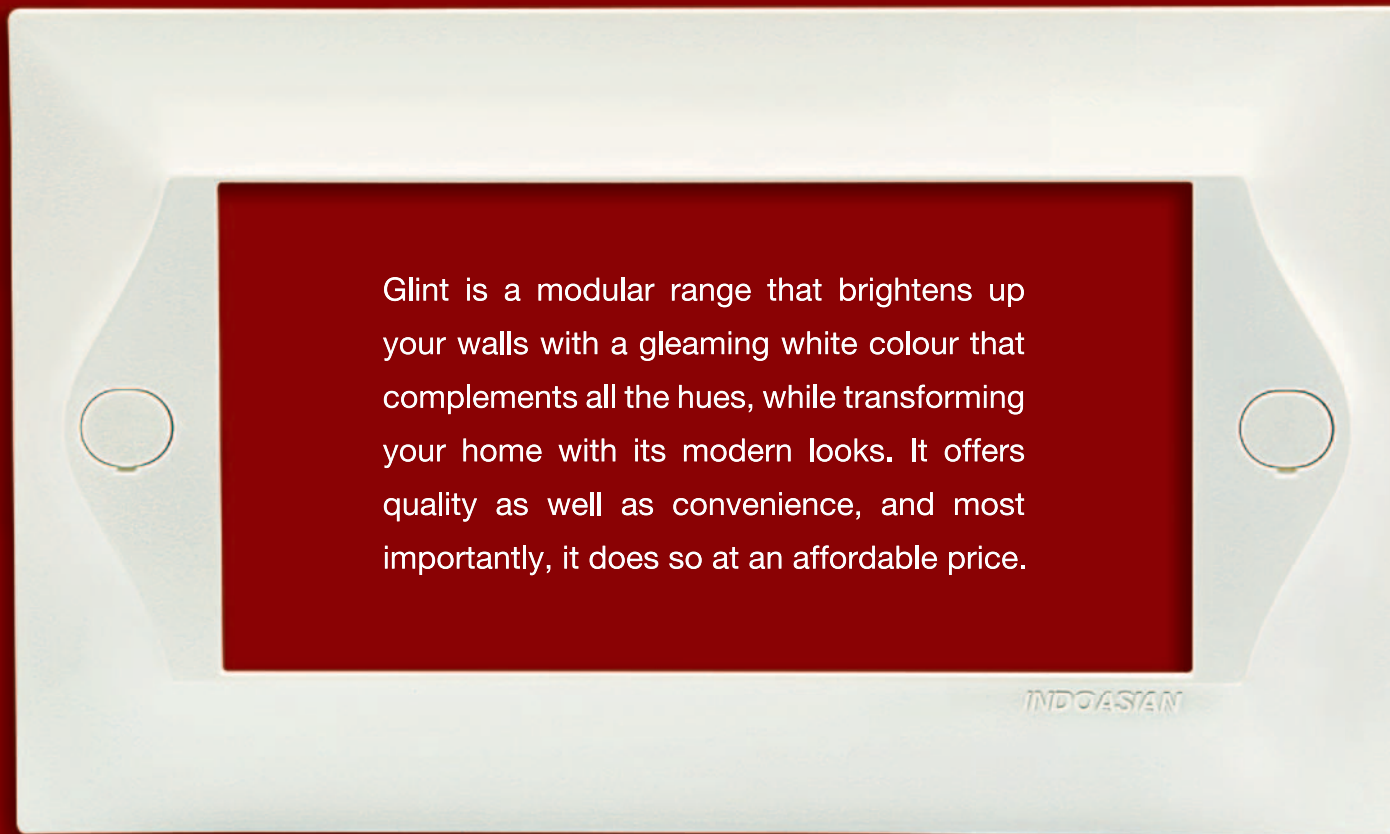


BLANK PLATE



16A POWER UNIT FOR AC AND GEYSER

Value for Money



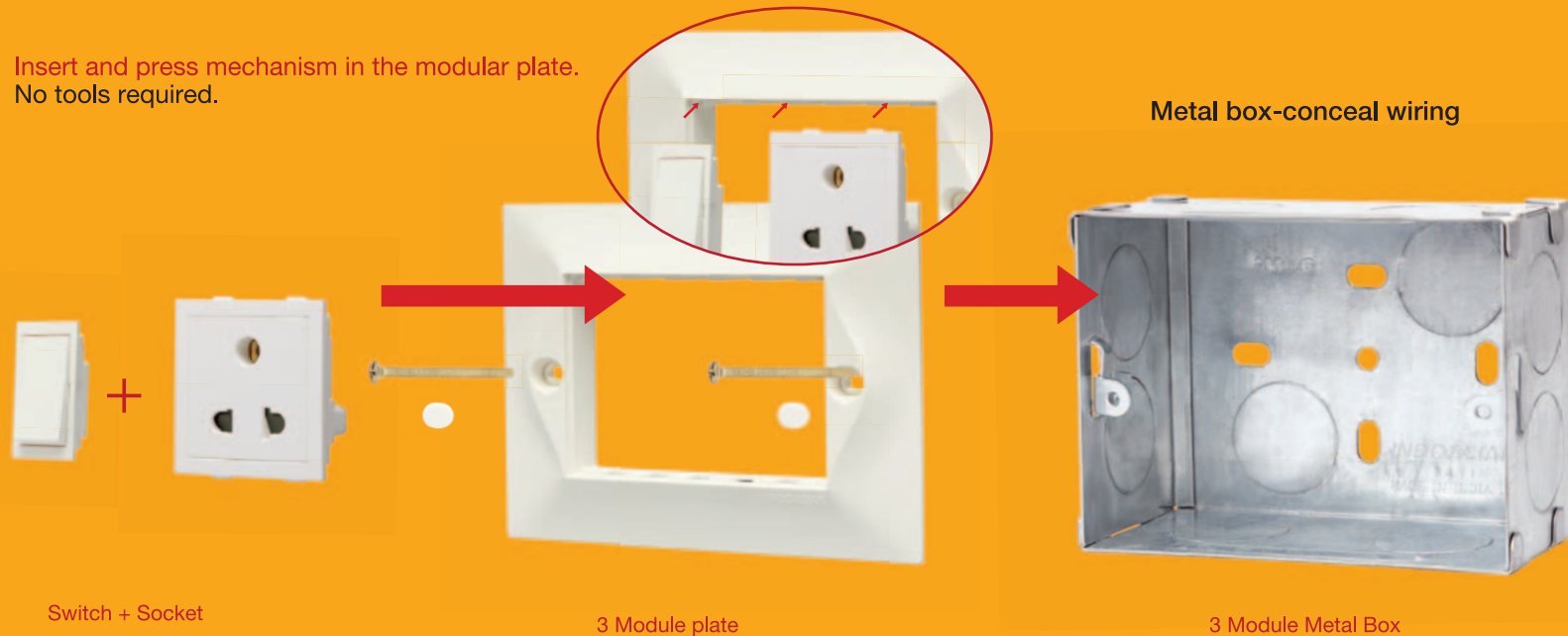
Glint is a modular range that brightens up your walls with a gleaming white colour that complements all the hues, while transforming your home with its modern looks. It offers quality as well as convenience, and most importantly, it does so at an affordable price.

INDO-ASIAN

Ease of Installation

Modular switches, while being flexible and good-looking save more than half of your installation time. The Glint modular range is very easy to install. With just a simple mechanism they'll adorn your walls even before you know it.

Insert and press mechanism in the modular plate.
No tools required.



Easy removal of Mechanism





LED Indicator


The Glint modular range also offers switches with LED indicators. All LED indicator switches are long-lasting and use less electricity. They indicate the ON/OFF position of the switches and also their working condition.





Switches


	Cat No.	Description	Module	Pack	MRP ₹/Unit
	800000	6A 1-way Switch	1	10	35


	Cat No.	Description	Module	Pack	MRP ₹/Unit
	800001	6A 2-way Switch	1	10	46


	Cat No.	Description	Module	Pack	MRP ₹/Unit
	800002	16A 1-way Switch	1	10	67

	Cat No.	Description	Module	Pack	MRP ₹/Unit
	800003	16A 2-way Switch	1	10	75


	Cat No.	Description	Module	Pack	MRP ₹/Unit
	800005	20A DP Switch	2	10	90

	Cat No.	Description	Module	Pack	MRP ₹/Unit
	800006	32A DP Switch	2	10	133


	Cat No.	Description	Module	Pack	MRP ₹/Unit
	800007	6A Bell Push with Indicator - 1M	1	10	52

	Cat No.	Description	Module	Pack	MRP ₹/Unit
	800008	6A Bell Push with Indicator - 2M	2	10	81


Switches with Indicator


	Cat No.	Description	Module	Pack	MRP ₹/Unit
	800004	16A 1-way Switch with Indicator	1	10	70


Sockets

	Cat No.	Description	Module	Pack	MRP ₹/Unit
	800020	6A 3 Pin Universal Socket	2	10	49


Sockets

	Cat No.	Description	Module	Pack	MRP ₹/Unit
	800021	10A Euro US Socket	1	20	46

	Cat No.	Description	Module	Pack	MRP ₹/Unit
	800022	6/16A 3 Pin Socket	2	10	93

	Cat No.	Description	Module	Pack	MRP ₹/Unit
	800023	Multistandard Socket 6/10/13A-250V, 15A-127V	2	10	78

Power Unit / Telephone Socket

	Cat No.	Description	Module	Pack	MRP ₹/Unit
	800025	16A Power Unit for AC & Geyser	4	1	215


	Cat No.	Description	Module	Pack	MRP ₹/Unit
	800030	Telephone Socket RJ11	1	20	46


Computer Socket / TV Socket


	Cat No.	Description	Module	Pack	MRP ₹/Unit
	800031	Computer Socket RJ45	1	20	116

	Cat No.	Description	Module	Pack	MRP ₹/Unit
	800032	TV Socket	1	20	38

Buzzer / Fan Step Regulator / Light Dimmer

	Cat No.	Description	Module	Pack	MRP ₹/Unit
	800040	Buzzer - 230V	1	20	122


	Cat No.	Description	Module	Pack	MRP ₹/Unit
	800041	Fan Step Regulator 100W	1	10	235


	Cat No.	Description	Module	Pack	MRP ₹/Unit
	800042	Light Dimmer 400W	1	10	223


Blank Plates / Scew Caps


	Cat No.	Description	Module	Pack	MRP ₹/Unit
	800051	1 Module Blank Plate	1	20	15


	Cat No.	Description	Module	Pack	MRP ₹/Unit
	800052	2 Module Blank Plate	2	10	19


	Cat No.	Description	Module	Pack	MRP ₹/Unit
	800059	Screw Caps	-	10	4

	Cat No.	Description	Module	Pack	MRP ₹/Unit
	800063	3 Module Plate	3	10	35


	Cat No.	Description	Module	Pack	MRP ₹/Unit
	800064	4 Module Plate	4	10	44


	Cat No.	Description	Module	Pack	MRP ₹/Unit
	800066	6 Module Plate	6	5	55

	Cat No.	Description	Module	Pack	MRP ₹/Unit
	800068	8 Module Plate	8	5	70


	Cat No.	Description	Module	Pack	MRP ₹/Unit
	800069	16 Module Plate	16	5	104


Modular Plates-White colour


	Cat No.	Description	Module	Pack	MRP ₹/Unit
	800061	1 Module Plate	1	10	26


	Cat No.	Description	Module	Pack	MRP ₹/Unit
	800062	2 Module Plate	2	10	26


Flush Boxes-Metal


	Cat No.	Description	Module	Pack	MRP ₹/Unit
	800172	Metal Flush Box 1 & 2 Module	1/2	40	46

	Cat No.	Description	Module	Pack	MRP ₹/Unit
	800173	Metal Flush Box 3 Module	3	40	64


	Cat No.	Description	Module	Pack	MRP ₹/Unit
	800174	Metal Flush Box 4 Module	4	40	75

	Cat No.	Description	Module	Pack	MRP ₹/Unit
	800176	Metal Flush Box 6 Module	6	20	122


	Cat No.	Description	Module	Pack	MRP ₹/Unit
	800178	Metal Flush Box 8 Module	8	20	157


	Cat No.	Description	Module	Pack	MRP ₹/Unit
	800179	Metal Flush Box 16 Module	16	20	247


Surface Boxes-Plastic


	Cat No.	Description	Module	Pack	MRP ₹/Unit
	800182	Plastic Surface Box 1 & 2 Module	1/2	50	55

	Cat No.	Description	Module	Pack	MRP ₹/Unit
	800183	Plastic Surface Box 3 Module	3	35	70

	Cat No.	Description	Module	Pack	MRP ₹/Unit
	800184	Plastic Surface Box 4 Module	4	25	84

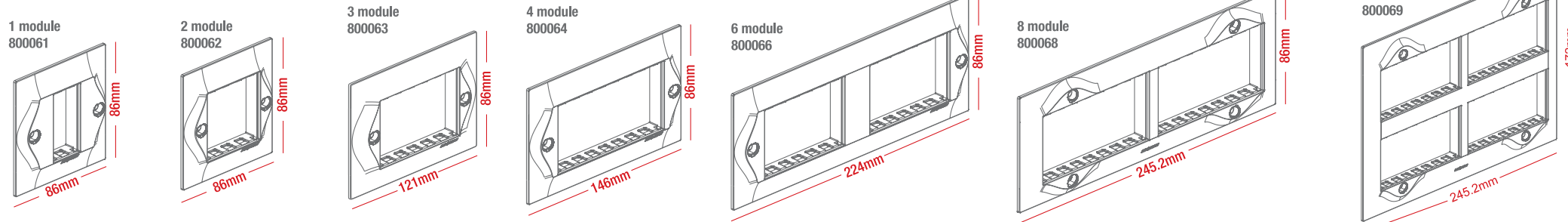
	Cat No.	Description	Module	Pack	MRP ₹/Unit
	800186	Plastic Surface Box 6 Module	6	10	128

	Cat No.	Description	Module	Pack	MRP ₹/Unit
	800188	Plastic Surface Box 8 Module	8	10	177

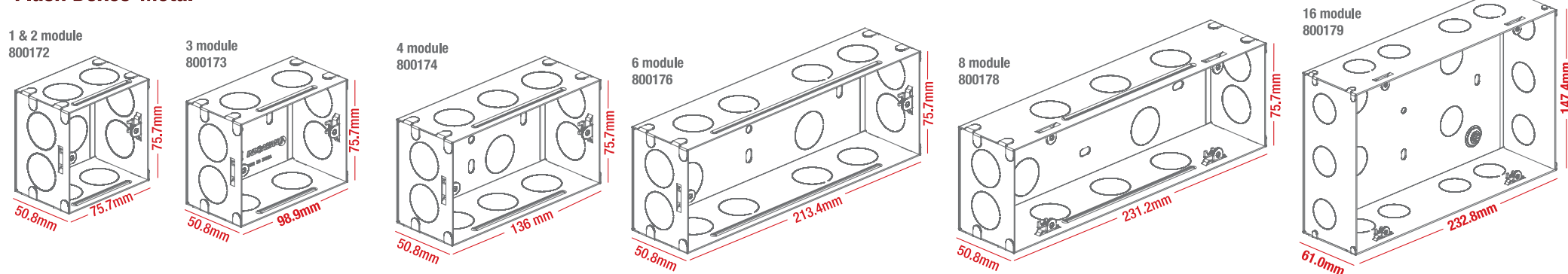
	Cat No.	Description	Module	Pack	MRP ₹/Unit
	800189	Plastic Surface Box 16 Module	16	10	261

Dimensions

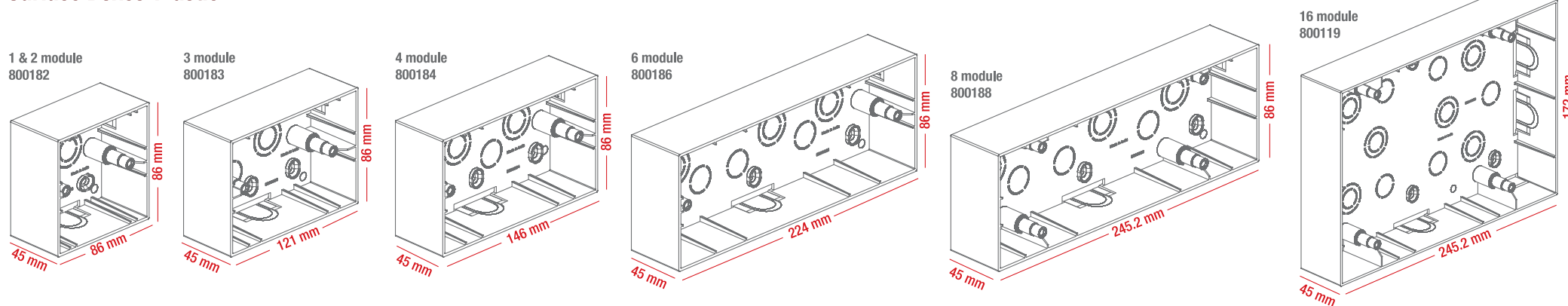
Cover Plates




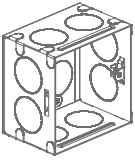
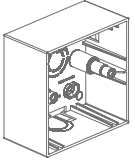
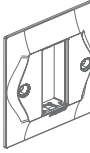
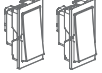

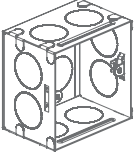
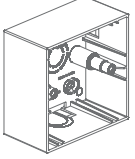
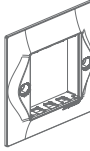
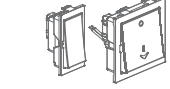
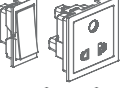

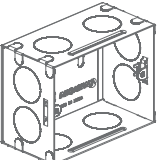
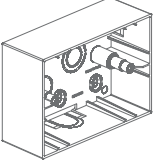
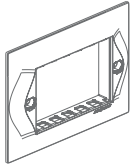
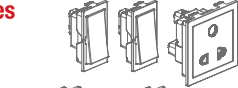

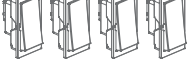
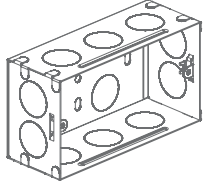
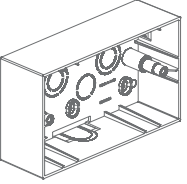
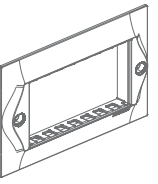
Flush Boxes-Metal



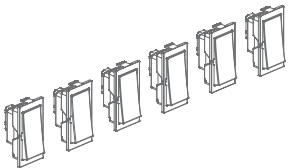
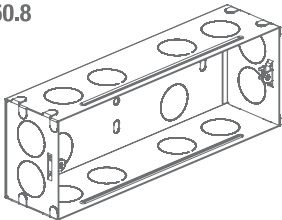
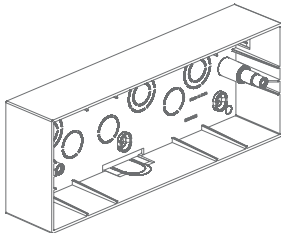
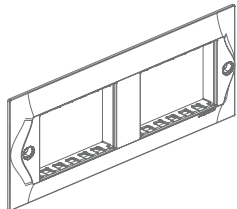
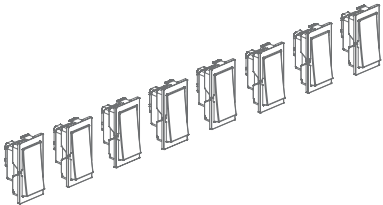
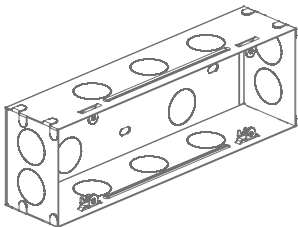
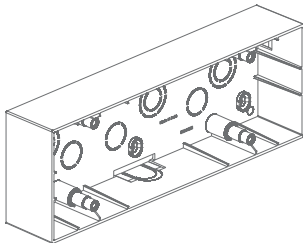
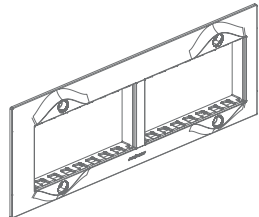
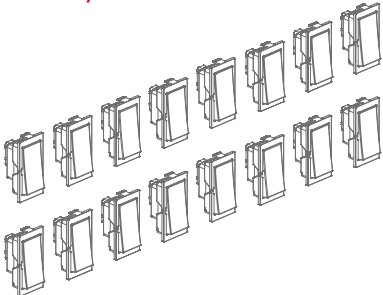
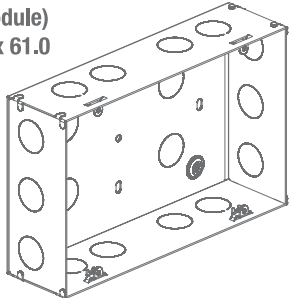
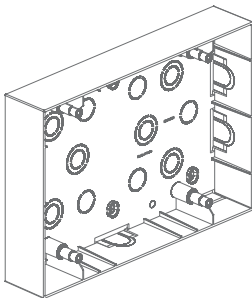
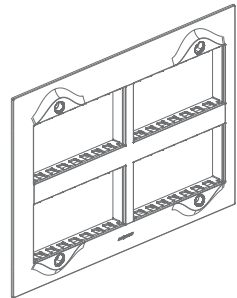
Surface Boxes-Plastic



Selection Chart

Module	Flush Boxes-Metal	Surface Boxes-Plastic	Cover Plates
	L x W x H	L x W x H	L x W x H
1 Module 	800172 (1 & 2 Module) 75.7 x 75.7 x 50.8 	800182 86 x 86 x 45 	800061 86 x 86  1 M
2 x 1 Module  2 Modules 	800172 (1 & 2 Module) 75.7 x 75.7 x 50.8 	800182 86 x 86 x 45 	800062 86 x 86  2 M
1 + 2 Modules  1 + 2 Modules  3 x 1 Module 	800173 (3 Module) 98.9 x 75.7 x 50.8 	800183 121 x 86 x 45 	800063 121 x 86  3 M
1 + 1 + 2 Modules  2 + 2 Modules  4 x 1 Module 	800174 (4 Module) 136 x 75.7 x 50.8 	800184 146 x 86 x 45 	800064 146 x 86  4 M

Selection Chart

Module	Flush Boxes-Metal	Surface Boxes-Plastic	Cover Plates
	L x W x H	L x W x H	L x W x H
<p>6 x 1 Module</p> 	<p>800176 (6 Module) 213.4 x 75.7 x 50.8</p> 	<p>800186 224 x 86 x 45</p> 	<p>800066 224 x 86</p>  <p>6 M</p>
<p>8 x 1 Module</p> 	<p>800178 (8 Module) 231.2 x 75.7 x 50.8</p> 	<p>800188 245.2 x 86 x 45</p> 	<p>800068 245.2 x 86</p>  <p>8 M</p>
<p>16 (2 row x 8) Modules</p> 	<p>800179 (16 Module) 232.8 x 147.4 x 61.0</p> 	<p>800189 245.2 x 172 x 45</p> 	<p>800069 245.2 x 172</p>  <p>16 M</p>

CORPORATE OFFICE: B-24, Phase - II, Noida - 201305, U.P., India Ph.: +91-120-3853000 Fax: +91-120-3853002 E-Mail: sales@indoasian.com, international@indoasian.com Website: www.indoasian.com

CONSUMER CARE CELL: B-24, Phase - II, Noida - 201305, U.P., India Ph.: +91-120-3042222 E-Mail: feedback@indoasian.com

NORTH	SOUTH	WEST	EAST	
<p>CHANDIGARH S.C.O.-11, 2nd Floor, Madhya Marg, Sector-26, Chandigarh-160002 Ph.: 0172-3934651-64 Telefax: 0172-3934656 E-Mail: in-chandigarh-office@indoasian.com</p>	<p>BANGALORE 402, 4th Floor, Blue Cross Chambers, Infantry Road Cross, Bangalore-560001 Ph.: 080-25585043, 25591677 Fax: 080-25591546 E-Mail: in-bangalore-office@indoasian.com</p>	<p>AHMEDABAD 203-204, Shreedhar Avenue, 11, Sardar Patel Colony, Near Sardar Patel Statue, Naranpura, Ahmedabad-380014 Ph.: 079-30002092-94 Fax: 079-27680439 E-Mail: in-ahmedabad-office@indoasian.com</p>	<p>MUMBAI G-6, Nahar & Seth Industrial Estate, Chakala, Andheri East, Mumbai-400099 Ph.: 022-28390072, 28301987 Fax: 022-66922831 E-Mail: in-mumbai-office@indoasian.com</p>	<p>JAMSHEDPUR 9, Rustomji Mansion Main Road, Near Signal Light, Bistupur, Jamshedpur-831001 Ph.: 09830893435 E-Mail: in-jamshedpur-office@indoasian.com</p>
<p>DELHI 721-722, 7th Floor, DLF Tower B, Jasola District Centre, New Delhi-110044 Ph.: 011-30821773-74 E-Mail: in-delhi-office@indoasian.com</p>	<p>COCHIN 35/1403 B, 1st Floor, M. K. M. Building, Palarivattom, Cochin-682025 Ph.: 0484-4055581-88 Fax: 0484-4055589 E-Mail: in-cochin-office@indoasian.com</p>	<p>GOA No. 606, 6th Floor, Unitech City Center, M.G. Road, Panjim, Goa-403501 Ph.: 0832-2420934, 9422445501 E-Mail: in-go-a-office@indoasian.com</p>	<p>PUNE Rajadwar Building, 4th Floor, 1307, Shivaji Nagar, Off. J. M. Road, Pune-411005 Ph.: 020-30116638-39, 60501144 Fax: 020-25520659 E-Mail: in-pune-office@indoasian.com</p>	<p>KOLKATA 61/B, Palm Avenue, Kolkata-700019 Ph.: 033-32934121, 32609475 E-Mail: in-kolkata-office@indoasian.com</p>
<p>JAIPUR 433, Ganpati Plaza, M. I. Road, Jaipur-302001 Ph.: 0141-4113528 E-Mail: in-jaipur-office@indoasian.com</p>	<p>COIMBATORE D. No. 83, Dr. Nanjappa Road, Coimbatore-641018 Ph.: 0422-2302715 Fax: 0422-2302715 E-Mail: in-coimbatore-office@indoasian.com</p>	<p>INDORE C-18, Block B, New Siyaganj Market, Indore-452007 Ph.: 0731-4064064, 8889211108 Fax: 0731-4064064 E-Mail: in-indore-office@indoasian.com</p>	<p>SURAT 306, Golden Point, Ring Road, Surat-395003 Ph.: 0261-3990890, 9825224054 E-Mail: in-surat-office@indoasian.com</p>	
<p>LUCKNOW 301, Chintel House, Station Road, Lucknow-226001 Ph.: 0522-4013210 TeleFax: 0522-4013210 E-Mail: in-lucknow-office@indoasian.com</p>	<p>CHENNAI Ambal Building, 1st Floor, 727, Anna Salai, Chennai-600006 Ph.: 044-28297527, 28297143 E-Mail: in-chennai-office@indoasian.com</p>			
	<p>HYDERABAD 312, 3rd Floor, Amrutha Estates, Himayath Nagar, Hyderabad-500029 Ph.: 04066742425-29 E-Mail: in-secunderabad-office@indoasian.com</p>			

IA/Glnt/11-13/30000

WARRANTY:

Indo Asian products carry a warranty against manufacturing defects, subject to use of the product for the right application, with correct wiring/connection and normal operating conditions. Please refer to detailed Indo Asian warranty policy effective November 2013.

For all Switches & Sockets: **10 years**

For all Electronic Products: 2 years (e.g. Fan Regulator, Dimmer, Buzzer, RJ45, RJ11 & TV Sockets)