



Icon
INDOASIAN CONTROLGEAR

TOUGH & TIRELESS

INDOASIAN ™
MAKES SENSE

*T*hrough sheer dedication and hard work, Indo Asian has positioned itself as a major player in Low Voltage Switchgear products.



Indo Asian's Icon range offers quality products meeting IEC standard. It comprises of Contactors, Thermal Overload Relays, Electronic Overload Relays and Motor Protection Circuit Breakers. The Icon range comes with distinctive features like three terminal coil and snap-on installation. In short Icon range offers safety, reliability, simplicity and flexibility to satisfy changing India's every need.



FEATURES

C6 Series Mini Contactors

- Conforms to IEC 60947-4-1
- Electric ratings: AC50/60Hz, up to 690V, up to 9A
- Utilization category: AC-1, AC-3, AC-4
- Ambient temperature: -5°C ~ +40°C
- Altitude: ≤2000m
- Installation Category: II, III
- Mounting conditions: inclination between mounting plane and vertical plane not exceeding ±30°



C1 Series Power Contactors

- Conforms to IEC 60947-4-1
- Wide range of power contactors 9A - 95A, 690V AC50/60Hz, Choice of 10 ratings in 3Pole and 4Pole versions
- Common add-on accessories
- Utilization category: AC-1, AC-3, AC-4
- Ambient temperature: -5°C ~ +40°C
- Altitude: ≤2000m
- Installation Category: III
- Mounting conditions: inclination between mounting plane and vertical plane not exceeding ±5°



C2 Series Power Contactors

- Conforms to IEC 60947-4-1
- Wide range of power contactors 115A - 630A, 1000V AC50/60Hz in 3Pole and 4Pole versions
- Common front mounted accessories
- Ambient temperature: -5°C ~ +40°C
- Altitude: ≤2000m
- Installation Category: III
- Mounting conditions: inclination between mounting plane and vertical plane not exceeding ±5°
- Utilization category: AC-1, AC-3, AC-4

CONTACTOR CAT. REFERENCE		AC Contactor*#	C6006*#	C6009*#	C6020*#
Frame Size			Frame 1		
No. Of Poles			3P		4P
Suffix the following code for No. of Auxiliaries*		For 3P with 1NC	01	01	–
		For 3P with 1NO	10	10	–
		For 4P (4NO main)	–	–	04
		For 4P (2NO + 2NC main)	–	–	08
Rated operational current @ 380/415V 50Hz (AC3 Duty) (Ie)		A	6	9	9
Rated operational current @ 660/690V 50Hz (AC3 Duty)		A	3.8	5	5
Thermal Current AC1 (Ith)		A	20	20	20
Rated operational current @ 380/415V 50Hz (AC4 Duty)		A	6	9	9
Max Power (AC3 duty) @ 380/415V 50Hz (P)		kW	2.2	4	4
Rated Insulation Voltage (Ui)		V	690		
Rated Impulse Withsand Voltage (Uimp)		kV	6		
LIFE (Mechanical & Electrical)					
Electrical endurance		AC3 Duty	(x 10 ³)	1200	
		AC4 Duty	(x 10 ³)	25	
Mechanical endurance (x 10 ⁶)			(x 10 ⁶)	10	
Max. Operating Frequency		AC3 (Electrical)	cycles/h	1200	
		AC4 (Electrical)	cycles/h	300	
		Mechanical	cycles/h	3600	
CONTROL CIRCUIT					
AC Coil		Startup	VA	30	
		Holding	VA	4.5	
AC & DC Operation Range		Pick-up Voltage	V	As per IEC	
		Drop-out Voltage	V	As per IEC	
TERMINAL CONNECTION					
Conductor			mm ²	2.5	
Screw Size				M3	
Tightening Torque			Nm	0.5	
THERMAL OVERLOAD RELAY			Rated Current	Reference Code	
<ul style="list-style-type: none"> • Conforms to IEC 60947-4-1 • Tripping Class 10A • Phase failure protection function • Automatic & Manual reset • Temperature Compensation • Releasing indicator • Test & stop push button • Mounting mode - Plug-n/Independent • Electrically separated 1N/O Plus 1N/C • Auxiliary contacts - Rated current (AC-15-220V) - 2.73 A (AC-15-380V) - 1.58 A (DC-13-220V) - 0.2 A 			0.1 ~ 0.16	R2011V16	
			0.1 ~ 0.25	R2011V25	
			0.25 ~ 0.4	R2011V4T	
			0.4 ~ 0.63	R2011V63	
			0.63 ~ 1	R20111VT	
			1 ~ 1.6	R20111V6	
			1.25 ~ 2	R20112VT	
			1.6 ~ 2.5	R20112V5	
			2.5 ~ 4	R20114VT	
			4 ~ 6	R20116VT	
5.5 ~ 8	R20118VT				
7 ~ 10	R201110T				
9 ~ 13	R201113T				



* Suffix the Auxiliaries code # Suffix the coil Code (Please refer to page no.9 for coil code)
For Tripping characteristic curve of thermal overload relay please refer to page no. 17

ACCESSORIES

For C6 series Mini Contactor

Model	Model of assembled contact	Conventional heating current (A)	Operating Frequency	Control Rating
C6006/C6009	IACF6-20; IACF6-02 IACF6-11; IACF6-40 IACF6-31; IACF6-22 IACF6-13; IACF6-04	10	50-60Hz	AC-15 : 360VA DC-13 : 33W






CONTACTOR CAT. REFERENCE	AC Contactor*#	
	DC Contactor*#	
Frame Size		
No. Of Poles		
Suffix the following code for No. of Auxiliaries* [For 3P (AC-3 Duty)]	For 3P with 1NC Auxiliary	
	For 3P with 1NO Auxiliary	
	For 3P with 1NO + 1NC Auxiliary	
Cat Ref. for 4P (AC-1 Duty)	For 4P (4NO main)-AC Coil**	
	For 4P (4NO main) DC Coil**	
Rated operational current @ 380/415V 50Hz (AC3 Duty) (Ie)	A	
Rated operational current @ 660/690V 50Hz (AC3 Duty)	A	
Thermal Current AC1 (Ith)	A	
Rated operational current @ 380/415V 50Hz (AC4 Duty)	A	
Short-time allowable current for 10s (IEC 60947 – 1)	Amp	
Max Power (AC3 duty) @ 380/415V 50Hz (P)	kW	
Rated Insulation Voltage (Ui)	V	
Rated Impulse Withsand Voltage (Uimp)	kV	
Rated making capacity in Amps (AC-3)		
Rated breaking capacity in Amps (AC-3)		
LIFE (Mechanical & Electrical)		
Electrical endurance	AC3 Duty	(x 10 ³)
	AC4 Duty	(x 10 ³)
Mechanical endurance (x 10 ⁶)	(x 10 ⁶)	
Max. Operating Frequency	AC3 (Electrical)	cycles/h
	AC4 (Electrical)	cycles/h
	Mechanical	cycles/h
CONTROL CIRCUIT		
AC Coil**	Startup	VA
	Holding	VA
	Power	W
DC Coil (Coil Power)**	W	
AC & DC Operation Range	Pick-up Voltage	V
	Drop-out Voltage	V
MECHANICAL INTERLOCK		
THERMAL OVERLOAD RELAY		
<ul style="list-style-type: none"> • Conforms to IEC 60947-4-1 • Tripping Class 10A • Phase failure protection function • Automatic & Manual reset • Temperature Compensation • Releasing indicator • Test & stop push button • Mounting mode - Plug-n/Independent • Electrically separated 1N/O Plus 1N/C • Auxiliary contacts - Rated current (AC-15-220V) - 2.73 A (AC-15-380V) - 1.58 A (DC-13-220V) - 0.2 A 		

* Suffix the Auxiliaries code # Suffix the coil Code (Please refer to page no.9 for coil code)
 For Tripping characteristic curve of thermal overload relay please refer to page no.17
 **For 2NO + 2NC Main, please replace 04# by 08#.

C1 SERIES POWER CONTACTOR

C1009*#	C1012*#	C1018*#	C1025*#	C1032*#	C1040*#	C1050*#	C1065*#	C1080*#	C1095*#
Z1009*#	Z1012*#	Z1018*#	Z1025*#	Z1032*#	Z1040*#	Z1050*#	Z1065*#	Z1080*#	Z1095*#
Frame 1		Frame 2	Frame 3	Frame 4		Frame 5		Frame 6	
3P	3P / 4P	3P	3P / 4P	3P	3P / 4P	3P	3P / 4P	3P	3P / 4P
01	01	01	01	01	-	-	-	-	-
10	10	10	10	10	-	-	-	-	-
-	C102004#	-	-	-	11	11	11	11	11
-	C102004#	-	C104004#	-	C106004#	-	C108004#	-	C109504#
-	Z102004#	-	Z104004#	-	Z106004#	-	Z108004#	-	Z109504#
9	12	18	25	32	40	50	65	80	95
6.6	8.9	12	18	21	34	39	42	49	49
20	20	32	40	50	60	80	80	95	110
3.5	5	7.7	8.5	12	18.5	24	28	37	44
72	96	144	200	256	320	400	520	640	760
4	5.5	7.5	11	15	18.5	22	30	37	45
690									
6									
10le									
8le									
1000	1000	1000	1000	800	800	600	600	600	600
200	200	200	200	200	150	150	150	100	100
10	10	10	10	8	8	8	8	6	6
1200	1200	1200	1200	600	600	600	600	600	600
300	300	300	300	300	300	300	300	300	300
3600	3600	3600	3600	3600	3600	3600	3600	3600	3600
70	70	70	110	110	200	200	200	200	200
8	8	8	11	11	20	20	20	20	20
1.8 ~ 2.7	1.8 ~ 2.7	1.8 ~ 2.7	3 ~ 4	3 ~ 4	6 ~ 10	6 ~ 10	6 ~ 10	6 ~ 10	6 ~ 10
9	9	11	11	11	20	20	20	20	20
(85% ~ 110%) Us									
(20% ~ 75%) Us									
IACJ0932				IACJ4065			IACJ8095		
Rated Current	Reference Code	For Use With							
0.1 ~ 0.16	R2025V16	C1009 C1012 C1018 C1025 C1032							
0.1 ~ 0.25	R2025V25								
0.25 ~ 0.4	R2025V4T								
0.4 ~ 0.63	R2025V63								
0.63 ~ 1	R20251VT								
1 ~ 1.6	R20251V6								
1.25 ~ 2	R20252VT								
1.6 ~ 2.5	R20252V5								
2.5 ~ 4	R20254VT								
4 ~ 6	R20256VT								
5.5 ~ 8	R20258VT								
7 ~ 10	R202510T								
9 ~ 13	R202513T								
12 ~ 18	R202518T								
17 ~ 25	R202525T	C1032 C1040 C1050 C1065 C1080 C1095							
23 ~ 32	R203632T								
28 ~ 36	R203636T								
23 ~ 32	R209332T								
30 ~ 40	R209340T								
37 ~ 50	R209350T								
48 ~ 65	R209365T								
55 ~ 70	R209370T								
63 ~ 80	R209380T								
80 ~ 93	R209393T								




CONTACTOR CAT. REFERENCE		AC Contactor*#
CONTACTOR CAT. REFERENCE		DC Contactor*#
Frame Size		
No. of Poles		
Suffix the following code for No. of Auxiliaries* [For 3P(AC-3Duty)]		For 3P with 2NO+2NC Auxiliary
Cat Ref. for 4P (AC-1 Duty)		For 4P with 2NO+2NC Auxiliary-AC Coil
		For 4P with 2NO+2NC Auxiliary-DC Coil
Rated operational current @ 380/415V 50Hz (AC3 Duty) (Ie)		A
Rated operational current @ 660/690V 50Hz (AC3 Duty)		A
Thermal Current AC1 (Ith)		A
Rated operational current @ 380/415V 50Hz (AC4 Duty)		A
Short-time allowable current for 10s (IEC 60947 – 1)		Amp
Max Power (AC3 duty) @ 380/415V 50Hz (P)		kW
Rated Insulation Voltage (Ui)		V
Rated Impulse Withsand Voltage (Uimp)		kV
Rated making capacity in Amps (AC-3)		
Rated breaking capacity inAmps (AC-3)		
LIFE (Mechanical & Electrical)		
Electrical endurance	AC3 Duty	(x 10 ³)
	AC4 Duty	(x 10 ³)
Mechanical endurance (x 10 ⁶)		(x 10 ⁶)
Max. Operating Frequency	AC3 (Electrical)	cycles/h
	AC4 (Electrical)	cycles/h
	Mechanical	cycles/h
CONTROL CIRCUIT		
AC Coil	Startup	VA
	Holding	VA
	Power	W
AC & DC Operation Range	Pick-up Voltage	V
	Drop-out Voltage	V
MECHANICAL INTERLOCK		
THERMAL OVERLOAD RELAY		
<ul style="list-style-type: none"> • Conforms to IEC 60947-4-1 • Tripping Class 10A • Phase failure protection function • Automatic & Manual reset • Temperature Compensation • Releasing indicator • Test & stop push button • Mounting mode - Plug-n/Independent • Electrically separated 1N/O Plus 1N/C • Auxiliary contacts - Rated current (AC-15-220V) - 2.73 A (AC-15-380V) - 1.58 A (DC-13-220V) - 0.2 A 		

* Suffix the Auxiliaries code # Suffix the coil Code (Please refer page no.9 for coil code)
For Tripping characteristic curve of thermal overload relay please refer page no. 17

C2115*#	C2150*#	C2185*#	C2225*#	C2265*#	C2330*#	C2400*#	C2500*#	C2630*#
Z2115*#	Z2150*#	Z2185*#	Z2225*#	Z2265*#	Z2330*#	Z2400*#	Z2500*#	Z2630*#
Frame 1		Frame 2		Frame 3	Frame 4	Frame 5	Frame 6	
3P / 4P								
32	32	32	32	32	32	32	32	32
C215042#	C220042#	C227542#	C227542#	C231542#	C238042#	C245042#	C263042#	C280042#
Z215042#	Z220042#	Z227542#	Z227542#	Z231542#	Z238042#	Z245042#	Z263042#	Z280042#
115	150	185	225	265	330	400	500	630
86	108	118	137	170	235	303	353	462
200	200	275	275	315	380	450	630	800
115	150	185	225	265	330	400	500	630
920	1200	1480	1800	2120	2640	3200	4000	5040
55	75	90	110	132	160	200	250	335
				1000				
				8				
				10le				
				8le				
1200	1200	1000	1000	800	800	800	800	800
-	-	-	-	-	-	-	-	-
10	10	6	6	6	6	6	6	6
1200	1200	600	600	600	600	600	600	600
-	-	-	-	-	-	-	-	-
-	-	-	-	-	-	-	-	-
660	660	966	966	840	1500	1500	1500	1700
85.5	85.5	91.2	91.2	150	34.2	34.2	34.2	34.2
-	-	-	-	-	-	-	-	-

(85% ~ 110%) Us

(20% ~ 75%) Us;

IACJ150T		IACJ225T	IACJ500T		IACJ630T
Rated Current	Reference Code	For Use With			
80 ~ 104	R2150104	C2115			
95 ~ 120	R2150120	C2150			
110 ~ 150	R2150150				
80 ~ 125	R2200125	C2185			
100 ~ 160	R2200160	C2225			
125 ~ 200	R2200200	C2265			
160 ~ 250	R2630250	C2330			
200 ~ 315	R2630315	C2400			
200 ~ 315	R2630315	C2500			
250 ~ 400	R2630400	C2630			
315 ~ 500	R2630500				
400 ~ 630	R2630630				



1: arc-extinguishing system,

2: contact system,

3: base frame

4: magnetic system



ACCESSORIES FOR C1 & C2 SERIES POWER CONTACTOR

- Conventional heating current (A): 10A
- Operating Frequency: 50-60Hz
- Control Rating: AC-15 : 360VA / DC-13 : 33W

ADD - ON AUXILIARY BLOCKS		
Ref. Code	Mounting	Contact Configuration
IACF4-20	Front	2NO
IACF4-11	Front	1NO + 1NC
IACF4-02	Front	2NC
IACF4-40	Front	4NO
IACF4-31	Front	3NO + 1NC
IACF4-22	Front	2NO + 2NC
IACF4-13	Front	1NO + 3NC
IACF4-04	Front	4NC
IACF1-11	Side	1NO + 1NC

PNEUMATIC TIME DELAY BLOCK (With 1NO + 1NC contacts)		
Ref. Code	Type of Time Delay	Time Delay Range
IACFS-T0	On Delay	0.1s ~ 3s
IACFS-T2	On Delay	0.1s ~ 30s
IACFS-T4	On Delay	10s ~ 180s
IACFS-D0	Off Delay	0.1s ~ 3s
IACFS-D2	Off Delay	0.1s ~ 30s
IACFS-D4	Off Delay	10s ~ 180s

CONTROL RELAY (LOVATO MAKE)

CONTACTOR CAT. REFERENCE	AC Contactor*#		CRA00*#
	DC Contactor*#		CRZ00*#
	For 4P (4NO main)		40
	For 4P (3NO + 1NC main)		31
	For 4P (2NO + 2NC main)		22
Conventional free thermal current Ith (@ 40°C)	A		10
Rated Insulation Voltage Ui	V		690
Terminal protection according to IEC 60529			IP20
Operating frequency limits	Hz		50 to 60 Hz
AMBIENT CONDITIONS			
Operating temperature	°C		-40... + 60
Maximum altitude	m		3000
Operation position			±30°
Fixing			Screw or 35mm DIN rail (IEC 60715)
CONTROL CIRCUIT			
AC - Operating Voltage limits	pick-up	% Us	75 ~ 115
	drop-out	% Us	20 ~ 55
AC - Average coil consumption @ 20°C	50Hz in-rush	VA	30/4
	50Hz holding	VA	25/3.0
AC - Dissipation at holding @ 20°C 50 Hz	W		0.95
DC - Operating Voltage limits	pick-up	% Us	75 ~ 115
	drop-out	% Us	10 ~ 20
DC - Average coil consumption @ 20°C (in - rush / holding)	W		3.2
OPERATING TIMES			
Average time Us (AC CONTROL)	Closing NO	ms	12 ~ 21
	Opening NC	ms	7 ~ 17
Average time Us (DC CONTROL)	Closing NO	ms	18 ~ 25
	Opening NC	ms	11 ~ 17
ENDURANCE DATA			
Mechanical Life (In Millions)	cycles		20
Maximum Operating Rate (Mechanical operations)	cycles/h		3600



FEATURES

- Conforms to IEC 60947-4-1
- Electrical Ratings: AC 50/60Hz, up to 415V
- Ambient temperature: 5°C ~ +40°C
- Altitude: <= 200m
- Pollution degree: 3
- Installation category: III
- Mounting conditions: the inclination between installation plane and vertical plane is within ± 50°

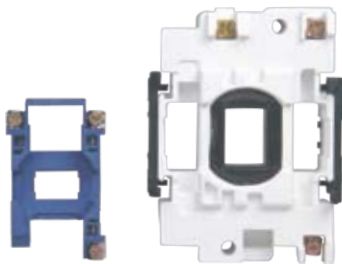
TECHNICAL DATA

Model	J1012**#	J1018**#	J1020**#	J1030**#	J1040**#	
Electrical life (x10 ³)	100	100	100	100	100	
Rated current Ie (415V)	17	23	29	43	63	
Capacity Duty (KVA _r)	220/230V AC	6	9	10	15	22
	380/415V AC	12	18	20	30	40
Rated Insulation Voltage Ui (V)	500					
Rated Operational Voltage Ue (V AC)	380					
Restrained surge capacity	20Ie					
Operation Range	Pick-up : (85% ~ 110%) Us: Drop-out: (20% ~ 75%) Us					
Coil Power (VA)	Start-Up	70	110	110	200	200
	Holding	8	11	22	20	20
Control Capacity of auxiliary contact	AC-15 360VA, DC13 33W					
Weight	0.44	0.63	0.64	1.4	1.5	

** For auxiliary contacts
 For 12-20 KVA_r: 1NO + 1NC - 11, 2NO - 20
 For 30-40 KVA_r: 2NO + 1NC - 21

For coil voltage

COIL VOLTAGE CODE TABLE



COIL VOLTAGE (V)	24	36	48	110	127	220	240	380	415	440	480	500	600	660
CODE	E	F	G	H	I	J	K	L	M	N	O	P	Q	R
AC COIL	✓	✓	✓	✓	✓	✓	✓	✓	✓	✓	✓	✓	✓	✓
DC COIL	✓	✓	✓	✓		✓								



FEATURES

- Electric ratings AC690V, 25A, 80A
- Standard: IEC 60947-2, IEC 60947-4-1
- Temperature: 5°C ~ + 40°C
- Altitude: <= 2000m
- Pollution grade: III
- Release grade: 10A (NS2-25) / 10 (NS2-80B)
- Rated operational system: Continuous operational system
- Mounting conditions: The inclination between the mounting plane and vertical plane shall not exceed 5°



FRAME		
Reference Code		
Rated insulation voltage - Ui		V
Rated Operational Voltage - Ue		V
Rated impulse withstand voltage - Uimp		V
Regulating Range of setting Current		Amp
Rated Current of release		Amp
Rated Ultimate Short-circuit breaking capacity (Icu)	230 / 240 V	kA
	400 / 415 V	kA
	440 V	kA
Rated Service Short-circuit breaking capacity (Ics)	230 / 240 V	kA
	400 / 415 V	kA
	440 V	kA
Standard rated power of three phase motor	230 / 240 V	kW
	400 V	kW
	415 V	kW
	440 V	kW
Current setting values of instantaneous electromagnetic release (I _r)		Amp
Degree of Protection		

FRAME		
Reference Code		
Rated insulation voltage - Ui		V
Rated Operational Voltage - Ue		V
Rated impulse withstand voltage - Uimp		V
Regulating Range of setting Current		Amp
Rated Current of release		Amp
Rated Ultimate Short-circuit breaking capacity (Icu)	230 / 240 V	kA
	400 / 415 V	kA
	440 V	kA
Rated Service Short-circuit breaking capacity (Ics)	230 / 240 V	kA
	400 / 415 V	kA
	440 V	kA
Standard rated power of three phase motor	230 / 240 V	kW
	400 V	kW
	415 V	kW
	440 V	kW
Current setting values of instantaneous electromagnetic release (I _r)		Amp
Degree of Protection		

ACCESSORIES

UNDER - VOLTAGE RELEASE

Rated insulation voltage Ui(V)	Voltage range of operation	Reference Code	Specification
690	35% ~ 70% Ue	S2IUVH5Z	110 ~ 115V 50Hz
690	35% ~ 70% Ue	S2IUVL5Z	220 ~ 240V 50Hz
690	35% ~ 70% Ue	S2IUVM5Z	380 ~ 400V 50Hz

AUXILIARY CONTACT - S2IAE - Front Mounted

Rated insulation voltage Ui(V)	Conventional Heating Current Ith (A)	Reference Code	Contact Configuration
250	2.5	S2IAE-20	2N/O
250	2.5	S2IAE-11	1N/O + 1N/C

SHUNT RELEASE

Rated insulation voltage Ui(V)	Voltage range of operation	Reference Code	Specification
690	70% ~ 110% Ue	S2ISHH5Z	110 ~ 115V 50Hz
690	70% ~ 110% Ue	S2ISHL5Z	220 ~ 240V 50Hz
690	70% ~ 110% Ue	S2ISHM5Z	380 ~ 400V 50Hz

AUXILIARY CONTACT - S2IAU - Side Mounted

Rated insulation voltage Ui(V)	Conventional Heating Current Ith (A)	Reference Code	Contact Configuration
690	6	S2IAU-20	2N/O
690	6	S2IAU-11	1N/O + 1N/C

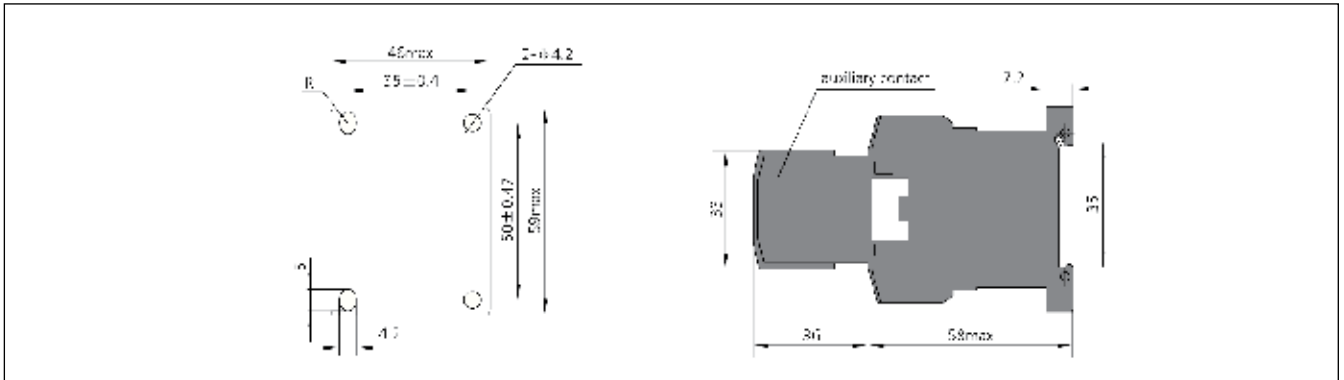
Application Class, Rated Working Voltage And Rated Operational Current

Utilization category	For S2IAE Front Mounted		For S2IAU Side Mounted Auxiliary Contact Block			
	AC - 15	DC - 13	AC - 15		DC - 13	
Rated Operational Voltage Ue(V)	230	48	230	415	110	220
Rated Operational Current Ie(A)	0.5	0.3	3.3	2.2	1.3	0.5
Normal Operational Power P(W)	120	15	720	850	140	120

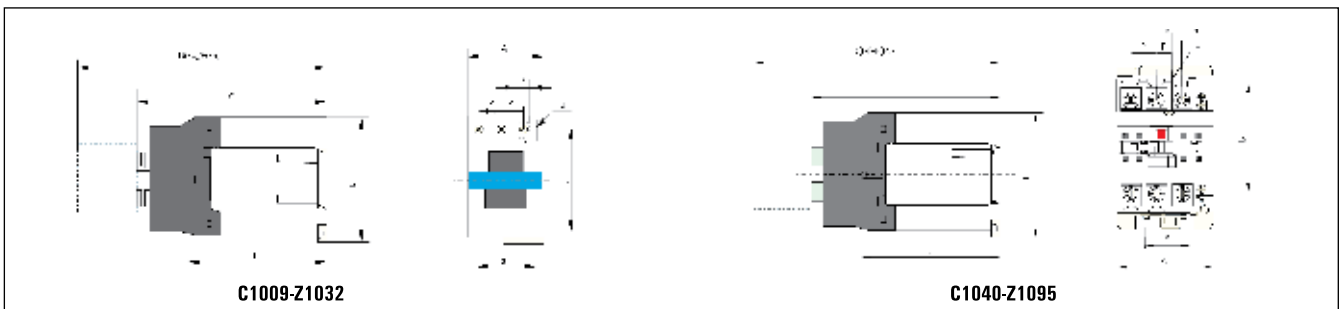
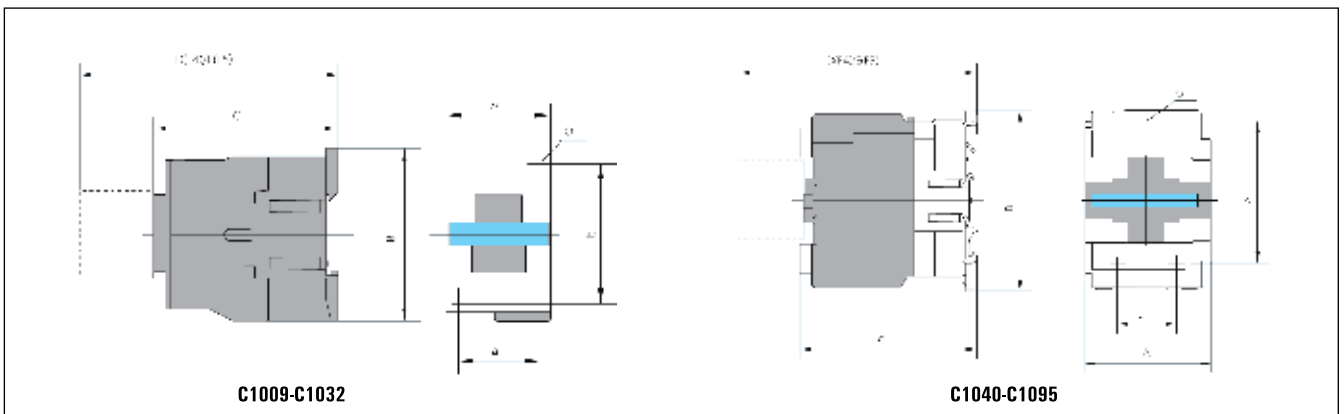
S2B25								
S2B25V16	S2B25V25	S2B25V4T	S2B25V63	S2B25V1T	S2B25V16	S2B25V25	S2B25V4T	S2B25V63
690								
230/240; 400/415; 440; 500, 690								
8000								
0.1 ~ 0.16	0.16 ~ 0.25	0.25 ~ 0.4	0.4 ~ 0.63	0.63 ~ 1	1 ~ 1.6	1.6 ~ 2.5	2.5 ~ 4	4 ~ 6.3
0.16	0.25	0.4	0.63	1	1.6	2.5	4	6.3
100	100	100	100	100	100	100	100	100
100	100	100	100	100	100	100	100	100
100	100	100	100	100	100	100	100	50
100	100	100	100	100	100	100	100	100
100	100	100	100	100	100	100	100	100
100	100	100	100	100	100	100	100	50
-	-	-	-	-	-	0.37	0.75	1.1
-	-	-	-	-	0.37	0.75	1.5	2.2
-	-	-	-	-	-	0.75	1.5	2.2
-	-	-	-	0.37	0.55	1.1	1.5	3
1.5	2.4	5	6	13	22.5	33.5	51	78
IP20	IP20	IP20	IP20	IP20	IP20	IP20	IP20	IP20

S2B25					S280B			
S2B2510T	S2B2514T	S2B2518T	S2B2523T	S2B2525T	S280B25T	S280B40T	S280B63T	S280B80T
690								
230/240; 400/415; 440; 500, 690					230/240; 400/415			
8000								
6 ~ 10	9 ~ 14	13 ~ 18	17 ~ 23	20 ~ 25	16 ~ 25	25 ~ 40	40 ~ 63	56 ~ 80
10	14	18	23	25	25	40	63	80
100	100	100	50	50	100	100	100	100
100	15	15	15	15	35	35	35	35
15	8	8	6	6	-	25	25	25
100	100	100	50	50	75	75	75	75
100	7.5	7.5	6	6	17.5	17.5	17.5	17.5
15	4	4	3	3	-	12.5	12.5	12.5
2.2	3	4	5.5	5.5	5.5	11	15	22
4	5.5	7.5	11	11	11	18.5	30	40
4	5.5	9	11	11	11	22	33	45
4	7.5	9	11	11	-	22	33	45
138	170	223	327	327	327	480	756	960
IP20	IP20	IP20	IP20	IP20	IP20	IP20	IP20	IP20

C6 SERIES MINI CONTACTOR



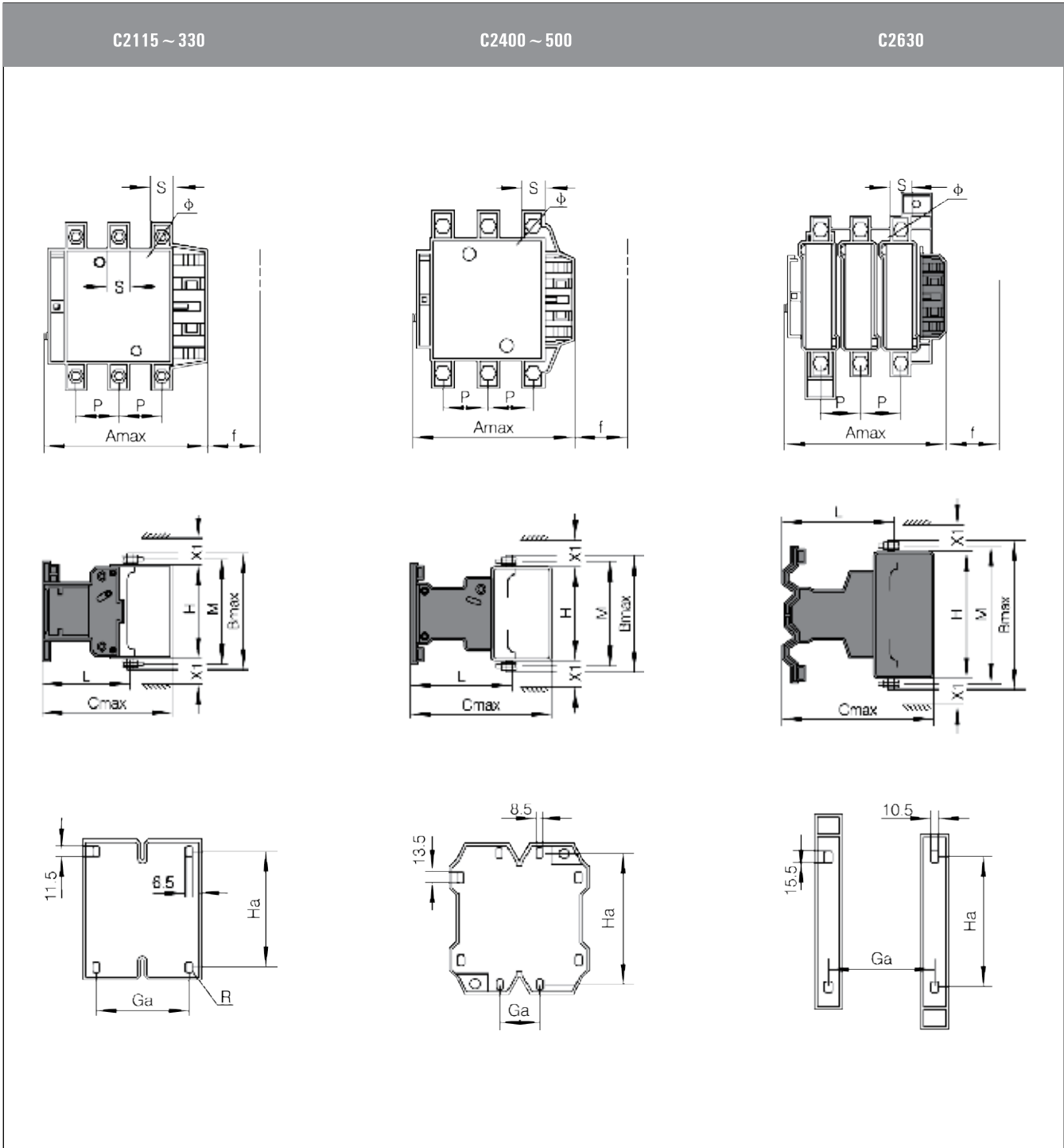
C1 SERIES POWER CONTACTOR



Note: 1. L in main circuit, the distance between terminal and plate; 2. P in main circuit, the distance between two phases; 3. S in main circuit, the width of contacting plate

Model	A max	B max	C max	D max	E max	a	b	φ	L	P	S
C1009 ~ 012/Z1009 ~ 012	47	76	82(116)	120.5 (154.5)	140.5 (174.5)	34/35	50/60	4.5	60(95)	10.5	8.6
C1018/Z1018	47	76	87(12.2)	125.5(160.5)	145.5(180.5)	34/35	50/60	4.5	61(96)	11.3	10.4
C1025/Z1025	57	86	95(131)	133.5(169.5)	153.5(189.5)	40	48	4.5	70(107)	13.2	11.7
C1032/Z1032	57	86	100(3.8)	125.5(160.5)	158.5(196.5)	40	48	4.5	71.6(120)	14.5	13
C1040 ~ 065/Z1040 ~ 065	77	129	116(173)	154(211.5)	174.5(231.5)	40	100/110	6.5	78(135)	20	8.6
C108011/Z108011	87	129	127(188)	165.5(226.5)	185.5(246.5)	40	100/110	6.5	83(140)	23.5	12
C109511/Z109511	87	129	127(188)	165.5(226.5)	185.5(246.5)	40	100/110	6.5	83(140)	23.5	12

C2 SERIES POWER CONTACTORS

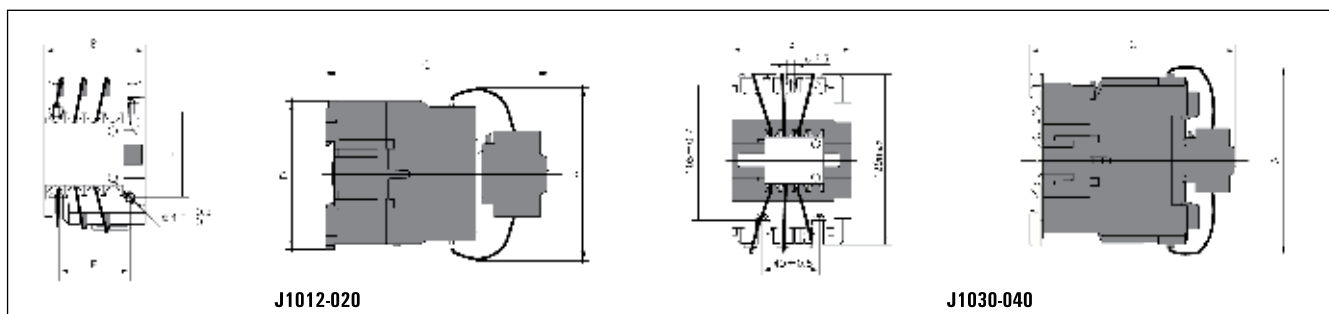


C2 SERIES POWER CONTACTORS

Model	C2115		C2150		C2185		C2225	
	3P	4P	3P	4P	3P	4P	3P	4P
A	167	204	167	204	171	211	171	211
B	163	163	171	171	174	174	197	197
C	172	172	172	172	183	183	183	183
P	37	37	40	40	40	40	48	48
S	20	20	20	20	20	20	25	25
∅	M6	M6	M8	M8	M8	M8	M10	M10
f	131	131	131	131	131	131	131	131
M	147	147	150	150	154	154	172	172
H	124	124	124	124	127	127	127	127
L	107	107	107	107	113.5	113.5	113.5	113.5
X1 200-500V	10		10		10		10	
X1 600-1000V	15		15		15		15	
Ga	80		80		80		80	
Ha	110-120		110-120		110-120		110-120	

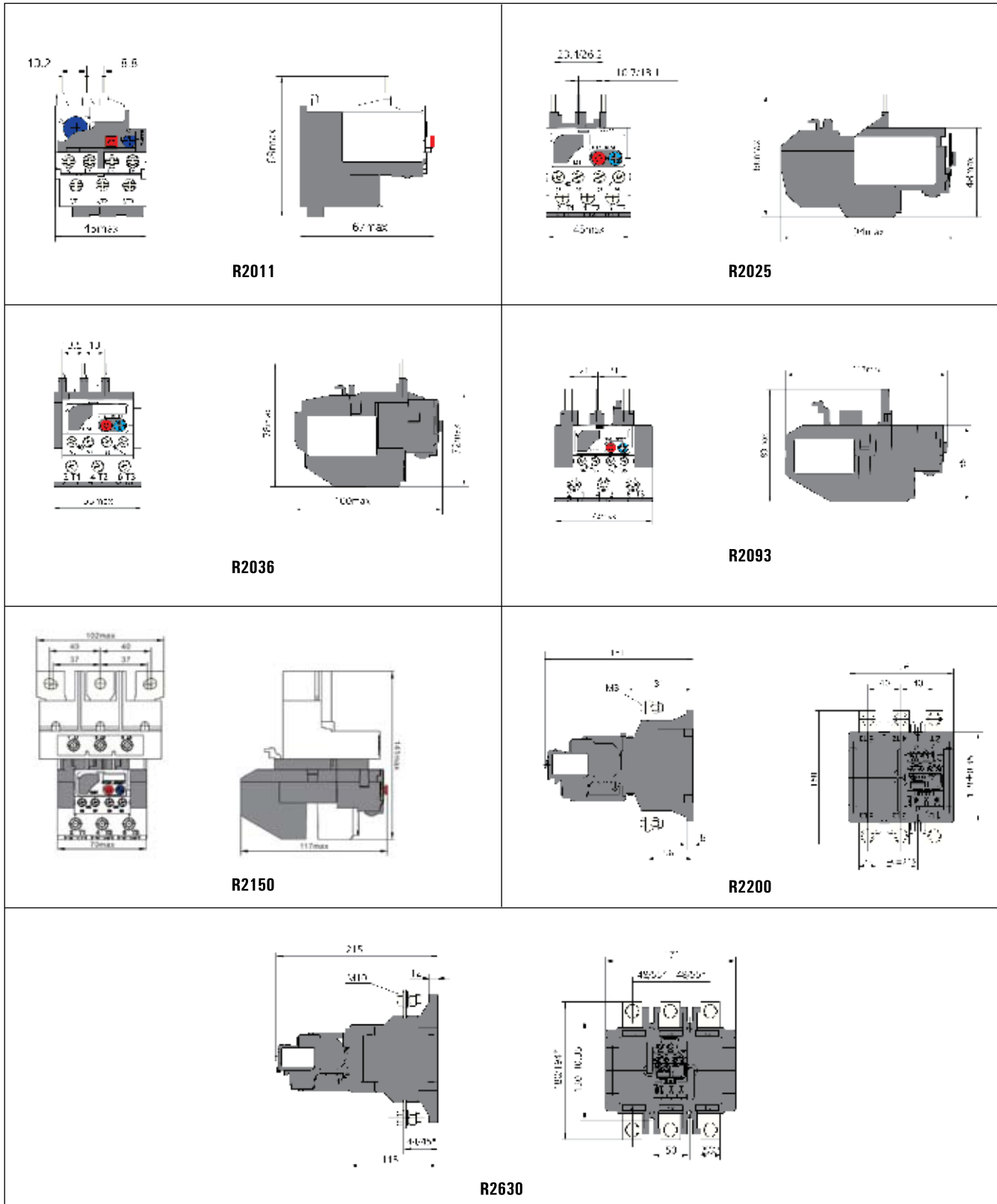
Model	C2265		C2330		C2400		C2500		C2630	
	3P	4P	3P	4P	3P	4P	3P	3P	4P	
A	202	247	213	261	213	261	233	309	309	
B	203	203	206	206	206	206	238	304	304	
C	215	215	220	220	220	220	233	256	256	
P	48	48	48	48	48	48	55	80	80	
S	25	25	25	25	25	25	30	40	40	
∅	M10	M10	M10	M10	M10	M10	M10	M12	M12	
f	147	147	158	158	158	158	172	202	202	
M	178	178	181	181	181	181	208	264	264	
H	147	147	158	158	158	158	172	202	202	
L	141	141	145	145	145	145	146	155	155	
X1-200-500V	10		10		15		15		20	
X1 660-1000V	15		15		20		20		30	
Ga	96		96		80		80		180 240	
Ha	110 ~ 120		110 ~ 120		170 ~ 180		170 ~ 180		180 ~ 190	

J1 SERIES CAPACITOR DUTY CONTACTOR



Model	A max	B max	C max	D max	E	F	Note
J1012	80	47	124	76	34/35	50/60	Screw mount 35mm rail mount
J1018	90	58	132	86	40	48	
J1020	90	58	136	86	40	48	
J1030	132	79	150				
J1040	135	87	158				

R2 SERIES THERMAL OVERLOAD RELAY



CORPORATE OFFICE: B-24, Phase - II, Noida - 201305, U.P., India Ph.: + 91-120-3853000 Fax: + 91-120-3853002 E-mail: sales@indoasian.com, international@indoasian.com Website: www.indoasian.com
CONSUMER CARE CELL: B-24, Phase - II, Noida - 201305, U.P., India Ph.: + 91-120-3042222 E-mail: feedback@indoasian.com

NORTH

CHANDIGARH

S.C.O.-11, 2nd Floor,
Madhya Marg, Sector-26,
Chandigarh-160002
Ph.: 0172-3934651-64
Telefax: 0172-3934656
E-Mail: in-chandigarh-office@indoasian.com

DELHI

721-722, 7th Floor,
DLF Tower B,
Jasola District Centre,
New Delhi-110044
Ph.: 011-30821773-74
E-Mail: in-delhi-office@indoasian.com

JAIPUR

433, Ganpati Plaza,
M. I. Road,
Jaipur-302001
Ph.: 0141-4113528
E-Mail: in-jaipur-office@indoasian.com

LUCKNOW

301, Chintal House,
Station Road,
Lucknow-226001
Ph.: 0522-4013210
TeleFax: 0522-4013210
E-Mail: in-lucknow-office@indoasian.com

SOUTH

BANGALORE

402, 4th Floor, Blue Cross Chambers,
Infantry Road Cross,
Bangalore-560001
Ph.: 080-25585043, 25591677
Fax: 080-25591546
E-Mail: in-bangalore-office@indoasian.com

COCHIN

35/1403 B, 1st Floor,
M. K. M. Building, Palarivattom,
Cochin-682025
Ph.: 0484-4055581-88
Fax: 0484-4055589
E-Mail: in-cochin-office@indoasian.com

COIMBATORE

D. No. 83,
Dr. Nanjappa Road,
Coimbatore-641018
Ph.: 0422-2302715
Fax: 0422-2302715
E-Mail: in-coimbatore-office@indoasian.com

CHENNAI

Ambal Building,
1st Floor, 727,
Anna Salai,
Chennai-600006
Ph.: 044-28297527, 28297143
E-Mail: in-chennai-office@indoasian.com

HYDERABAD

312, 3rd Floor,
Amrutha Estates,
Himayath Nagar,
Hyderabad-500029,
Ph.: 040-66742425-29
E-Mail: in-seunderabad-office@indoasian.com

WEST

AHMEDABAD

203-204, Shreedhar Avenue,
11, Sardar Patel Colony,
Near Sardar Patel Statue,
Naranpura, Ahmedabad-380014
Ph.: 079-30002092-94
Fax: 079-27680439
E-Mail: in-ahmedabad-office@indoasian.com

GOA

No. 606, 6th Floor,
Unitech City Center,
M.G. Road, Panjim,
Goa-403501
Ph.: 0832-2420934, 9422445501
E-Mail: in-go-a-office@indoasian.com

INDORE

C-18, Block B,
New Siyaganj Market,
Indore-452007
Ph.: 0731-4064064, 8889211108
Fax: 0731-4064064
E-Mail: in-indore-office@indoasian.com

MUMBAI

G-6, Nahar & Seth Industrial Estate,
Chakala, Andheri East,
Mumbai-400099
Ph.: 022-28390072, 28301987
Fax: 022-66922831
E-Mail: in-mumbai-office@indoasian.com

PUNE

Rajadwar Building, 4th Floor,
1307, Shivaji Nagar,
Off. J. M. Road,
Pune-411005
Ph.: 020-30116638-39, 60501144
Fax: 020-25520659
E-Mail: in-pune-office@indoasian.com

SURAT

306, Golden Point,
Ring Road,
Surat-395003
Ph.: 0261-3990890, 9825224054
E-Mail: in-surat-office@indoasian.com

EAST

JAMSHEDPUR

9, Rustomji Mansion
Main Road, Near Signal Light,
Bistupur, Jamshedpur-831001
Ph.: 09830893435
E-Mail: in-jamshedpur-office@indoasian.com

KOLKATA

61/B, Palm Avenue,
Kolkata-700019
Ph.: 033-32934121, 32609475
E-Mail: in-kolkata-office@indoasian.com